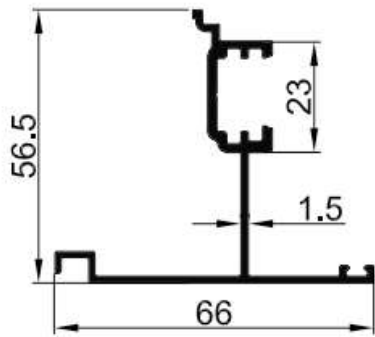
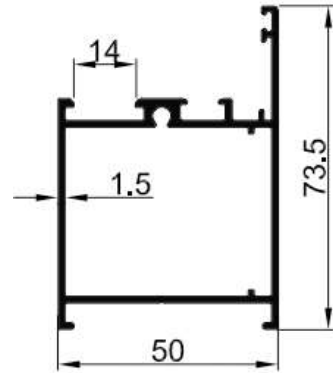


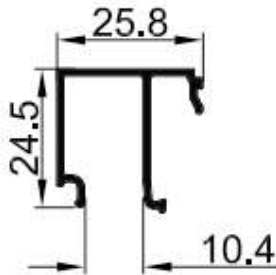
CASEMENT SERIES -50MM



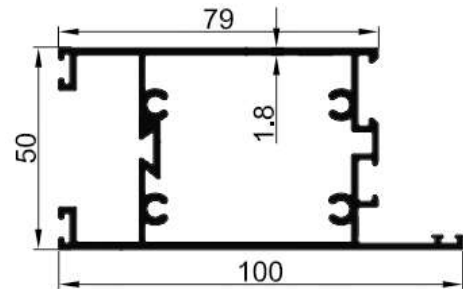
SL.NO.	SECTION NO.	WEIGHT(KG/M)
1	2793	0.704



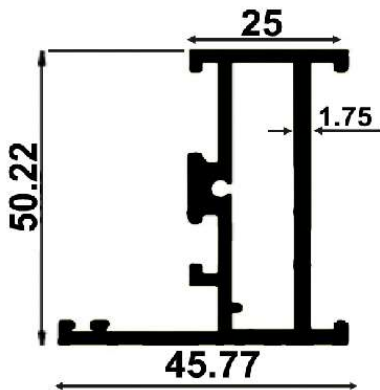
SL.NO.	SECTION NO.	WEIGHT(KG/M)
1	2795	1.063



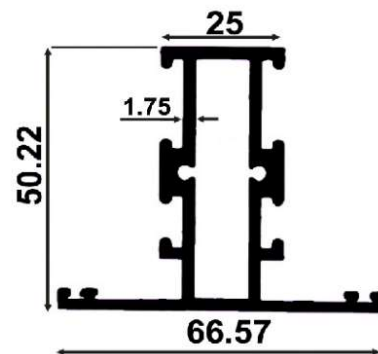
SL.NO.	SECTION NO.	WEIGHT(KG/M)
1	2797	0.282



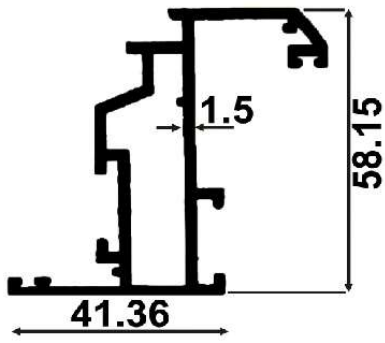
SL.NO.	SECTION NO.	WEIGHT(KG/M)
1	2799	1.765



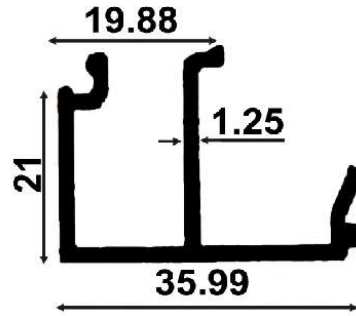
SL.NO.	SECTION NO.	WEIGHT(KG/M)
1	2860	0.928



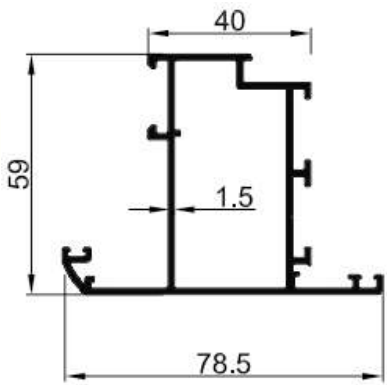
SL.NO.	SECTION NO.	WEIGHT(KG/M)
1	2861	1.120



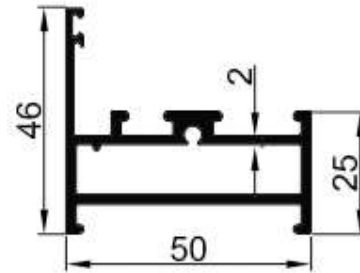
SL.NO.	SECTION NO.	WEIGHT(KG/M)
1	2862	0.902



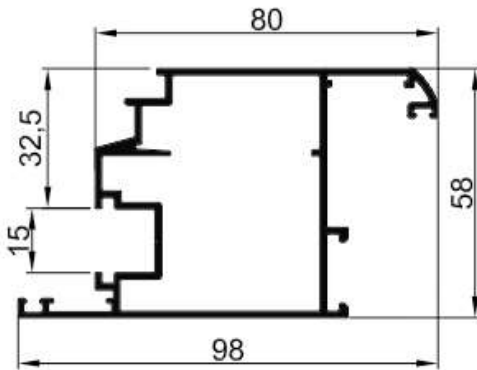
SL.NO.	SECTION NO.	WEIGHT(KG/M)
1	2863	0.328



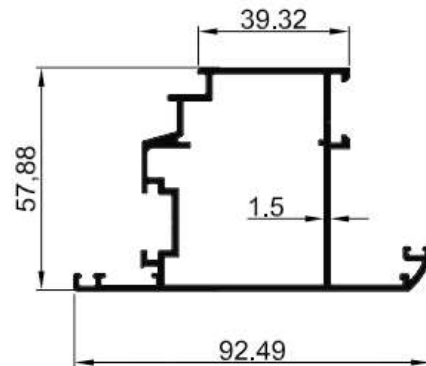
SL.NO.	SECTION NO.	WEIGHT(KG/M)
1	2864	1.165



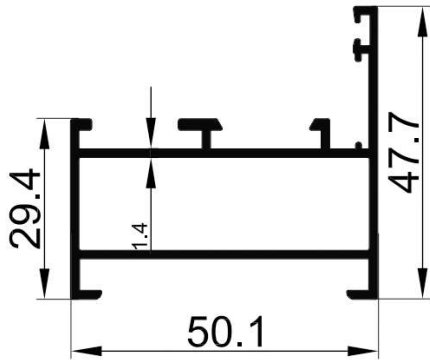
SL.NO.	SECTION NO.	WEIGHT(KG/M)
1	2886	0.991



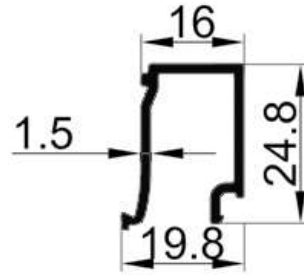
SL.NO.	SECTION NO.	WEIGHT(KG/M)
1	2894	1.425



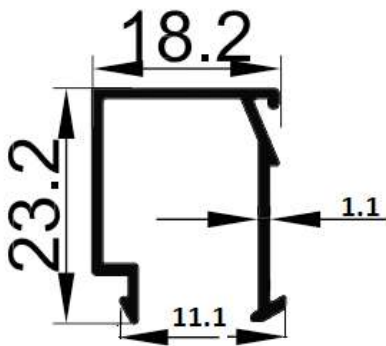
SL.NO.	SECTION NO.	WEIGHT(KG/M)
1	2896	1.308



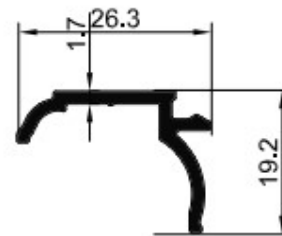
SL.NO.	SECTION NO.	WEIGHT(KG/M)
1	2893	0.796



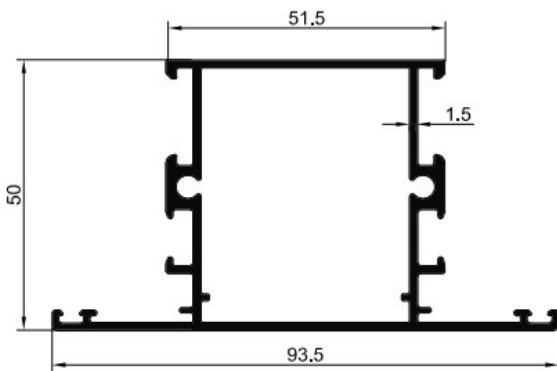
SL.NO.	SECTION NO.	WEIGHT(KG/M)
1	2888	0.280



SL.NO.	SECTION NO.	WEIGHT(KG/M)
1	2895	0.208



SL.NO.	SECTION NO.	WEIGHT(KG/M)
1	2792	0.222



SL.NO.	SECTION NO.	WEIGHT(KG/M)
1	2798	1.269